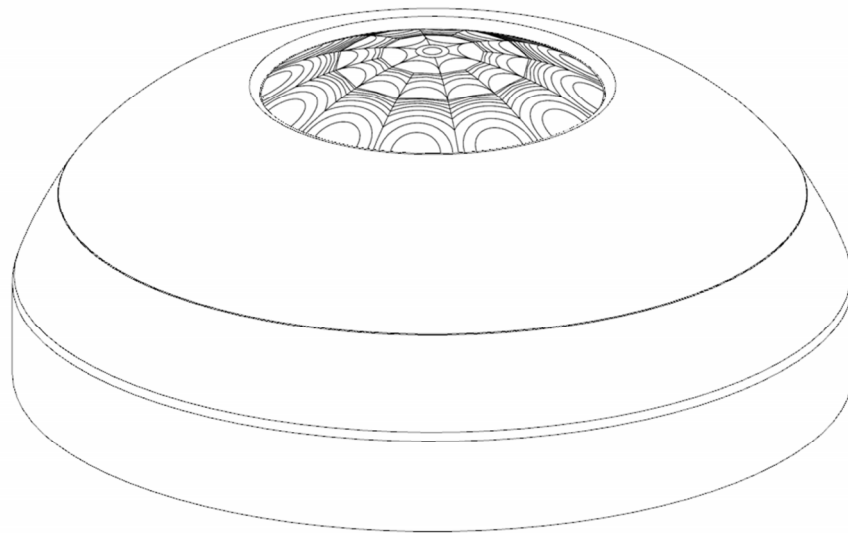


## **TIS Energy Servant 10 Functions Controller**

Model: ES-10F-CM

Data Sheet Rev 1.1



### **Safety instructions**

Electrical equipment may only be installed and fitted by electrically skilled persons. Failure to observe the instructions may cause damage to the device and other hazards. These instructions are an integral part of the product, and must remain with the end customer.

### **Basic information**

This device is a product of the TIS system. It is a ceiling mount device with 10 saving energy functions which can be controlled and communicate with other devices in the network by TIS protocol messages, technical knowledge obtained in TIS training courses is a prerequisite to proper understanding how to install device. Advanced Programming knowledge about software obtained in the advanced training courses.

### **Intended use**

Saving energy and security, e.g. light on/off, control air condition on/off, Digital input, Lux meter, TV control.

## Product Characteristics

<b>Inputs</b>	PIR motion sensor Digital input. Open / Close Length of connected wire to DI Light intensity sensor IR receiver Temp sensor	Dual element pyro-electric ceramic 2 Channels < 350 meter 0 – 8000 Lux meter TIS Infrared code receiver Resistance Temp sensor
<b>Outputs</b>	Infrared transmitters DC Output	6 probes to cover 360 degree 12 V DC / 50 mA
<b>TIS Bus</b>	Number of devices on 1 line Bus voltage Current consumption	Max. 64 12-32 V DC <15 mA / 24 V DC
<b>PIR Detection</b>	PIR range PIR detection angle	4-6 meters (installation height 2.6 - 3 meters) 110° from the ceiling down
<b>Protection</b>	Protection	Reverse Polarity Protection
<b>Reaction time</b>		approx. 20ms
<b>Mounting</b>	Ceiling mount	by 2 screws on the base of the sensor
<b>Connection terminal</b>	Data / bus	terminal connector 0,25...2mm2
<b>Operating and display elements</b>	Programming button Indicator LED TIS bus Upgrading	For assignment of the physical address Blue or Red LED (optional) TIS Protocol messages and commands 1 X mini USB for up to date upgrading.
<b>Functions</b>	Logic/ Timers IR Code memory / Flags Security Function IR receiver	32 Timers and Logic conditions 250 IR code memory and Flags Away, Night, Day, fire alarm setting 8 buttons function
<b>Weight</b>	Without packaging	0.06 KG
<b>Dimensions</b>	Width x length x height	92mm x 92mm x 39 mm
<b>Housing</b>	Materials Casing color Base color IR window cover	ABS anti fire / PC anti fire Gray White Black Transparent White
<b>Temperature range</b>	Operation Storage Transport	-10...60°C -20...50°C -25...75°C
<b>Air humidity</b>		<85% non-condensing

### Installation Tips

#### BUS, 12V-2Z Position

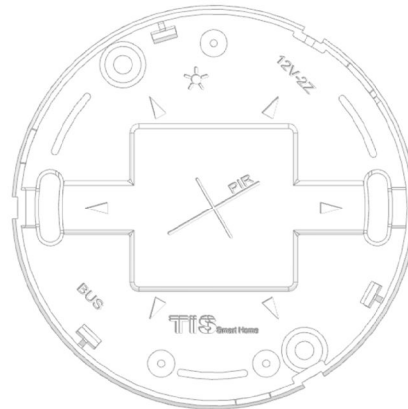
Check your wires positions before installing the base. Locate the TIS bus cable to be near its hole as well as the 2 zones 12V cable.

PIR angles are different in detection strength, as you see in the base there is



PIR instruction

For best installation please install the sensor base in the direction of the longer row to cover more area in your room.



#### IR Arrows

There is 6 Arrows or triangles that indicate the direction of IR transmitters.

#### Lux meter

The Sun logo will indicate to the light intensity sensor position.



## Wiring diagram

### Green Connector (TIS BUS)

**Warning:** Please turn off the power supply before any installation

By using the Cat5e cable to connect to TIS bus 4 terminals (24V, D+, D-, GND)

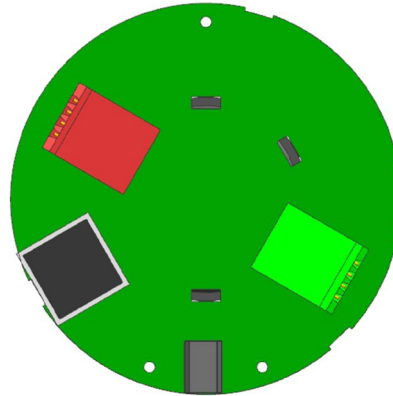
Recommended UTP cat5e color connection

24V – Orange

D+ – Blue

D- – White Blue

GND – White Orange



### Red Connector:

It has the 2 digital input Z1, Z2, with the 12V output terminal, Com Terminal is common for both digital input and 12V output.

## Warranty

We provide a warranty as provided for by law.

Product serial number is provided by each device.

Please send the description of the defect with Product S/N to our dealer network.

[info@tissmarthome.com](mailto:info@tissmarthome.com)

[www.tissmarthome.com](http://www.tissmarthome.com)